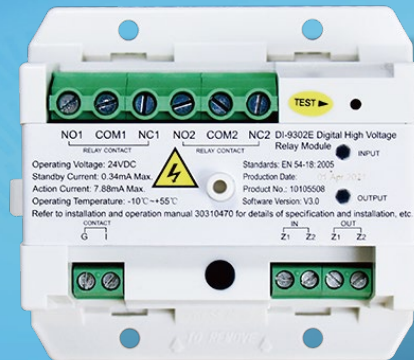


DI-9302E Digital High Voltage Relay Module



Description

DI-9302E Digital High Voltage Relay Module is loop powered product, Provide two groups dry contact output (N/O COM N/C), also possible receives switch signal (dry contact, either N/O or N/C) from field equipment, The input and output can be programmed to monitor and control the same or different equipment. With TEST button on module, press and hold it to manually active the module output to simulate receiving the start command from the connected FACP.

Features and Benefits

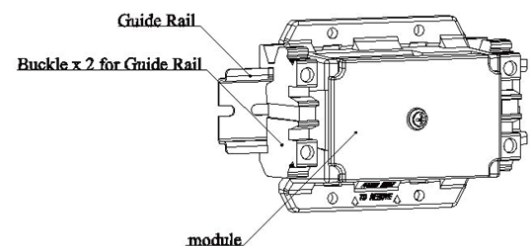
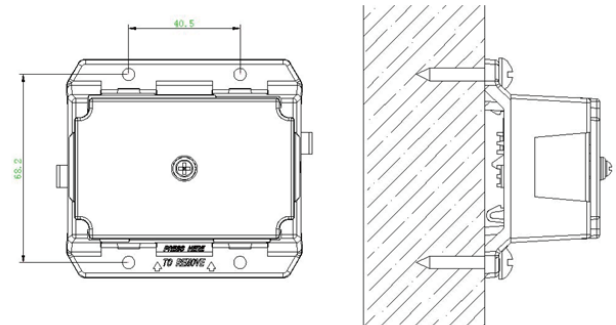
- Built-in microprocessor and AD sampling technology
- Electronically addressed.
- Optional to program as "Invert Mode", need compatible panel (GST-IFP4E) support.
- Two groups normally open or normally close dry contact output.
- Input port monitored with 4.7KΩ EOLR.
- With a protective cover to prevent electric shock from touching the terminal
- With a TEST button to manually active module output
- Rail mount or surface mount

Certificates and Compliance

- Standards: EN 54-18:2005
- Certifications: CE LPCB
- WEEE & RoHS Compliant

Installation

The installation of the module are shown as below, Wall-mount and Rail-mount. DIN-35mm rail is applicable.



Terminals and Recommended Cabling

(Z1, Z2) IN & OUT: Loop (SLC) connection, In & Out, non-polarized
 COM1,NO1,NC1,COM2,NO2,NC2: Dry contact output terminals
 I, G: Contact input, non-polarized
 Recommended Cabling: Minimum 1.5mm², Maximum 2.0mm² twisted pair cable, and subject to local codes

IMPORTANT: This publication is a generic version in which product information is shown for informational purposes only and does not constitute a specific commitment or guarantee. We are constantly pursuing the improvement of product technology to improve product performance, for which we reserve the right to adjust the configuration and technical information of the related products without notice. In addition, the description of system performance in this publication applies only to the usual situation. As a result, there may be a variety of unpredictable special circumstances in the real world, so the realization of the relevant product performance will depend on the professional investigation and analysis and the design plan. Please contact us and we will be happy to provide you with professional advice.

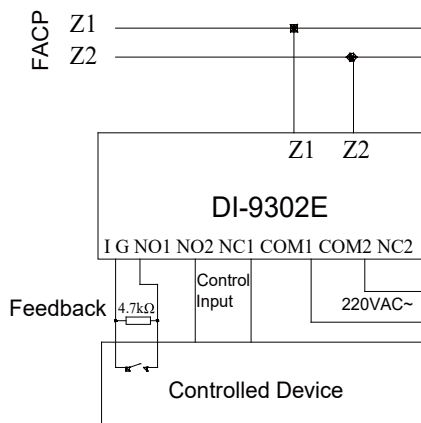
Application

The module is electronically programmable. Set the address and input parameter by handheld programmer P-9910B. The input can be set as N/O (default) or N/C.

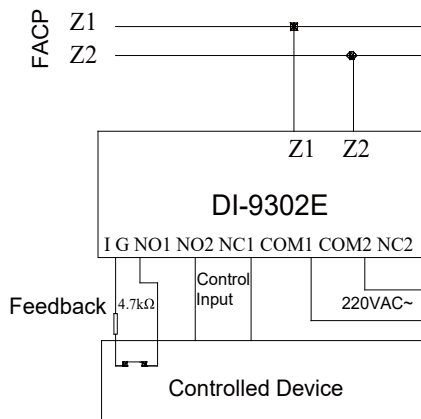
Parameters Setting	Input
11	Self-answering, one address
12	normally-closed, one address
13 or other number	normally-open, one address
22	normally-closed, Occupies two addresses, one for the input and one for output
23	normally-open, Occupies two addresses, one for the input and one for output.

Below figures show the connections of the module. A 1-Watt 4k7 End of Line Resistor is required.

Normally open input



Normally close input



Technical Specification

Operating Voltage	Loop 24V(16V~28V)
Standby Current	≤ 0.34 mA
Action Current	Loop ≤ 7.88mA
Output Capacity	Capacity is 220VAC /5A
Output Control Way	Relay normally open/normally closed contact input
Programming	Electronically addressing
Address Range	Option 1: Both Input and Output occupy one address that ranges from 1 to 242. Option 2: Occupy two addresses representing Input and Output. Input address range is 1 to 241. Output address is automatically programmed as input address plus 1.
LED	Input LED: Red. It lights in receiving feedbacks, lights 0.5s on, 0.5s off in input faults, flashes twice in power fault and flashes in other states. Output LED: Red. It lights in relay action. It turns off in other states.
Ingress Protection Rating	IP30
Operating Temperature	-10°C ~ +55°C
Relative Humidity	≤ 95%, Non Condensing
Materials of the Enclosure	ABS, white(RAL9016)
Dimension (L×W×H)	92.8mm×79.2mm×46mm
Weight	About 120g

Order Information and Compatible Products

Part No.	DI-9302E
Device Name	DI-9302E Digital High Voltage Relay Module
Product Code	10105508
Compatible Panle	GST200N Intelligent Fire Panel GST-IFP8 Intelligent Fire Panel GST-IFP4E Intelligent Fire Panel

Tools and Accessories

	Part No.:	P-9910B
	Device name:	Handheld Programmer
	Product Code:	10104894
	Part No.:	GST-MBX22
	Device name:	Module Box
	Product Code:	30208656
	Part No.:	GST-MBX29
	Device name:	Module Box
	Product Code:	30208657

IMPORTANT: This publication is a generic version in which product information is shown for informational purposes only and does not constitute a specific commitment or guarantee. We are constantly pursuing the improvement of product technology to improve product performance, for which we reserve the right to adjust the configuration and technical information of the related products without notice. In addition, the description of system performance in this publication applies only to the usual situation. As a result, there may be a variety of unpredictable special circumstances in the real world, so the realization of the relevant product performance will depend on the professional investigation and analysis and the design plan. Please contact us and we will be happy to provide you with professional advice.