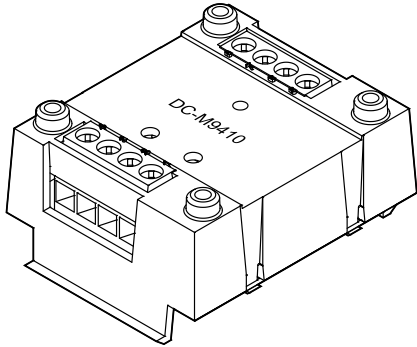




DC-M9410 Signal Synchronization Module Installation Sheet



Description

The DC-M9410 Signal Synchronization Module provides precision synchronization for the following sounders and strobes:

- DC-M9413 Series wall mount sounder strobes
- DC-M9414 Series wall mount sounders
- DC-M9415 Series wall mount strobes
- DC-M9416 Series ceiling mount sounder strobes

Installation

Install and wire this device in accordance with applicable national and local codes, ordinances, and regulations.

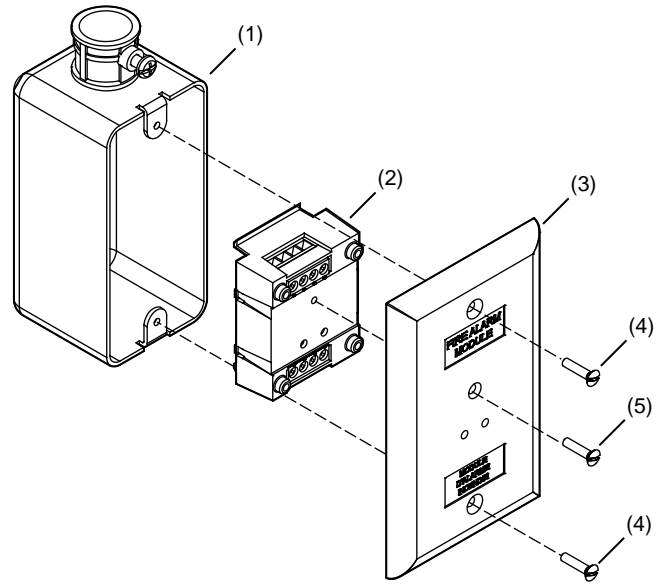
Notes

- The DC-M9410 Signal Synchronization Module is shipped from the factory as an assembled unit; it contains no user-serviceable parts and should not be disassembled.
- The DC-M9410 Signal Synchronization Module only synchronizes appliances that are electrically connected to it and are electrically downstream of it.
- Only one module is required for each notification appliance circuit.
- The strobe circuit must be continuous in alarm mode.
- When determining allowable wire resistance, refer to the voltage rating of the module, the signaling appliance, and the control panel specifications.

To install the module:

1. Verify that all field wiring is free of opens, shorts, and ground faults.
2. Make all wiring connections as shown in Figure 2.
3. Using the 4-24 x 1/2 in. screw, mount the wall plate on the module as shown in Figure 1.
4. Using the two 6-32 x 1/2 machine screws, mount the module in the electrical box.

Figure 1: Mounting in a single-gang box



- (1) Compatible electrical box
- (2) DC-M9410
- (3) Wall plate
- (4) 6-32 x 1/2 in. screw
- (5) 4-24 x 1/2 in. screw

Wiring

Table 1 lists the DC-M9410 terminals. See Figure 2 for wiring connections.

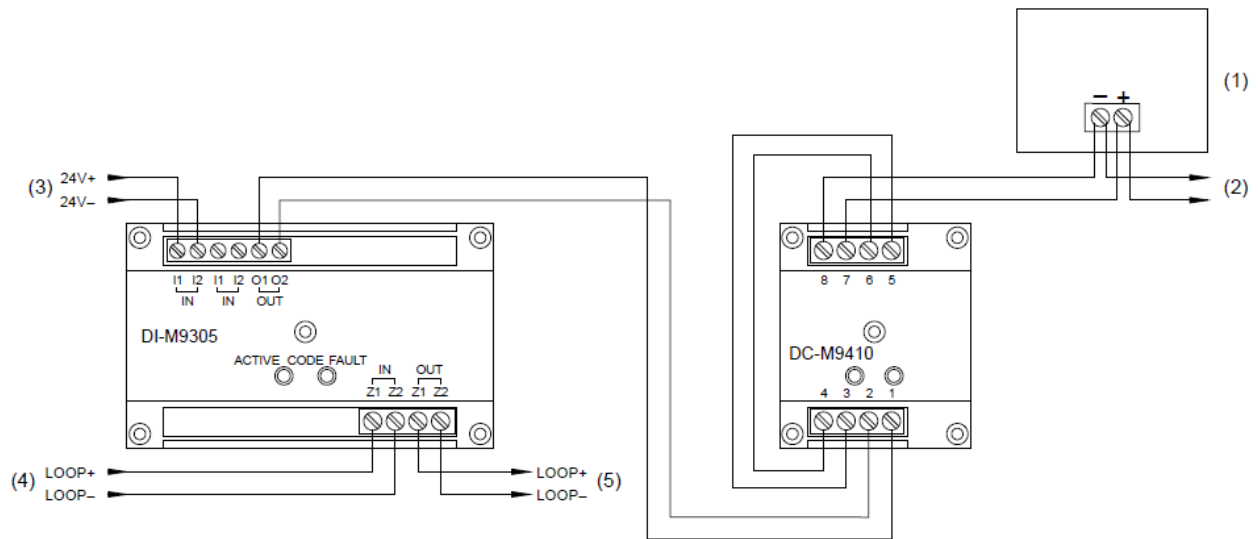
Table 1: DC-M9410 terminal connections

| Terminal | Description | Terminal | Description |
|----------|---------------|----------|--------------|
| 1 | SOUNDER IN + | 5 | STROBE IN + |
| 2 | SOUNDER IN - | 6 | STROBE IN - |
| 3 | SOUNDER OUT + | 7 | STROBE OUT + |
| 4 | SOUNDER OUT - | 8 | STROBE OUT - |

Specifications

| | |
|-----------------------------------|---|
| Operating voltage | 16 to 33 VDC, 16-33 VFWR |
| Output rating | 3 A max. Actual value limited by system NAC and power outputs |
| Synchronization | |
| Flash | 1/s within 10 ms, indefinitely |
| Resistance between two appliances | 20 Ω max. |
| Wire size | 12 to 18 AWG (0.75 to 2.50 mm ²) |
| Compatible electrical boxes | Single-gang box, 2-1/2 in. (64 mm) deep |
| Operating environment | |
| Temperature | 32 to 120 °F (0 to 49 °C) |
| Relative humidity | 0 to 93% noncondensing |

Figure 2: Wiring connections



- (1) Strobe or sounder strobe
- (2) To next appliance or EOLR
- (3) From NAC output
- (4) Signaling line circuit (loop) from control panel
- (5) To next loop device, or Class A circuit return

Notes

- Polarity shown in alarm condition
- DC-M9410 and DI-M9305 must be located in the same enclosure

Regulatory information

| | |
|--------------------------|---------------------------------------|
| UL rating | Regulated 24 DC, Regulated 24 FWR [1] |
| Environmental class | UL: Indoor, Dry |
| North American standards | UL 1971, UL 1638, UL 464 |

[1] This module was tested to the regulated 24 VDC/FWR operating voltage limits of 16 V and 33 V. Do not apply 80% and 110% of these values for system operation.

Contact information

For information or questions, please contact:

Gulf Security Technology Co., Ltd.
 No. 80, Changjiang East Road,
 QETDZ, Qinhuangdao, Hebei, P. R. China 066004

Tel +86 (0) 335 8502434
 Fax +86 (0) 335 8502532
service.gst@fs.utc.com
www.gst.com.cn