

Features

- ✧ Electronically addressed. The address can be modified in field.
- ✧ Alarm by pressing, reset by a special key.
- ✧ Plug-in structure.
- ✧ Standard: EN 54-11.

Description

Connecting to the loop of GST fire alarm system, DI-9204E Digital Manual Call Point (MCP) is suitable for public places. When there is a fire, pressing the frangible element on this MCP can send fire signal to fire alarm control panel. After receiving the signal, the control panel will show address information of the MCP and generate alarm sound.

Connection and Cabling

Terminals on the MCP base are shown as Fig. 1 (unit: mm) .

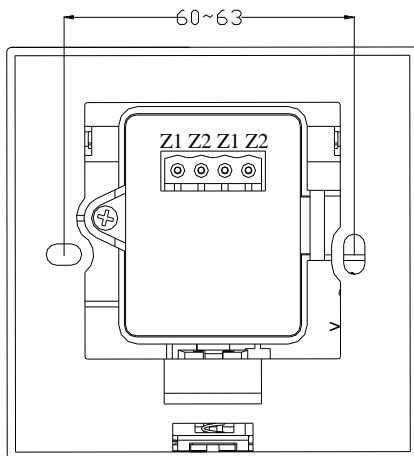


Fig. 1

Z1, Z2: Connecting with loop of the control panel, polarity-insensitive.

Recommended Cabling

0.5mm² or above fire cable, subject to local codes.



2831-CPR-F0130
GST-0011-01

13



548g/08

Installation

The MCP can be mounted in two ways: conduit embedded and surface mounting.

Surface Mounting: First install the back box into the wall using 4 screws, and then install the base onto the back box. Connect cables to corresponding terminals as described above. Hook the juts of the MCP body to the base, and then press the part below the frangible element to combine them completely, and then screw the lock screw as shown in Fig. 2.

Conduit Embedded: First install the base onto the back box, then connect the MCP body and the base followed instructions above, then screw the lock screw as shown in Fig. 3.

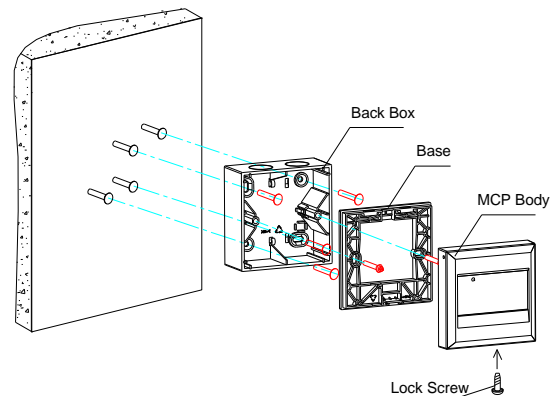


Fig. 2

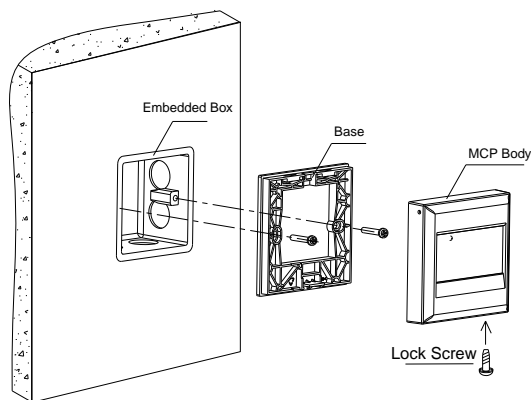


Fig. 3

Application

- ✧ The MCP should be programmed using P-9910B programmer. Please refer to P-9910B Hand Held Programmer Installation and Operation Manual.
- ✧ Z1 and Z2 are to be connected with the loop of fire alarm control panel. If it's correct, the FACP can register the MCP.
- ✧ Usage of the key
Vertically insert the key into the key-hole, and turn it clockwise, then push it with force. Turn the key back and pull it out when the frangible element is rebounded.
- ✧ Compatible equipment
It can be used with GST control panels such as GST200, GST200-2, GST200N, GST-IFP8.

Accessories and Tools

Model	Name	Remarks
P-9910B	Handheld Programmer	Order separately

WEEE Information



2012/19/EU (WEEE directive): Products marked with this symbol cannot be disposed of as unsorted municipal waste in the European Union. For proper recycling, return this product to your local supplier upon the purchase of equivalent new equipment, or dispose of it at designated collection points.

Specification

Operating Voltage	Loop 24V (16V~28V)
Standby Current	≤0.6mA
Alarm Current	≤1.8mA
Indicator	Red. Flashes every 3s normally. Illuminates after alarming.
Type of Initiating Part	Reusable
Initiating Mode	Pressing the frangible element manually
Resuming Mode	Manually resumed by a special key
Programming Mode	Electronically addressed
Address Range	One address within 1~242.
Wiring	Polarity-insensitive two-wire
Class	Type A, indoors.
Ingress Protection Rating	IP43
Environmental Temperature	-10°C~+55°C
Relative Humidity	≤95%, non condensing
Material of Enclosure	ABS, red
Dimension (L×W×H)	87.1mm×87.1mm×58.5mm (with back box) 87.1mm×87.1mm×23.5mm (without back box)
Mounting Hole Distance	60mm
Weight	About 160g (with back box) About 107g (without back box)

Limited Warranty

GST warrants that the product will be free from defects in design, materials and workmanship during the warranty period. This warranty shall not apply to any product that is found to have been improperly installed or used in any way not in accordance with the instructions supplied with the product. Anybody, including the agents, distributors or employees, is not in the position to amend the contents of this warranty. Please contact your local distributor for products not covered by this warranty.

This Data Sheet is subject to change without notice. Please contact GST for more information or questions.

Gulf Security Technology Co., Ltd.

No. 80, Changjiang East Road, QETDZ, Qinhuangdao, Hebei, P. R. China 066004

Tel: +86 (0) 335 8502434 Fax: +86 (0) 335 8502532

service.gst@fs.utc.com www.gst.com.cn