

Features

- ✧ During normal standby, Output port (O1, O2) is provided with Class B pathway supervision when connects with 47KΩ EOLR (Part Number 30108524).
- ✧ Occupying one address. It can be modified in filed.
- ✧ Output port utilizes AD sampling technology for precise testing.
- ✧ Guide rail for installation, easy for construction.
- ✧ Compatible with GST-M200 and GST-IFP4M Fire Alarm Control Panels (FACP).
- ✧ Standard: UL864, NFPA [70, 72].

Description

With a microprocessor, DI-M9305 Digital Single Riser Output Module can communicate with a FACP. The module is designed to switch on/off 24VDC power at its output.

Connection and Cabling

Fig. 1 shows terminals on the module.

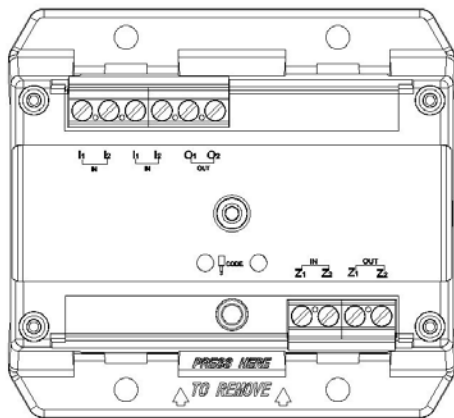


Fig. 1

(Z1, Z2) IN & OUT: Connecting with loop of FACP, polarity-insensitive.

(I1, I2) IN & OUT: Power input terminals. For connecting with 24VDC power from Listed FACP or power supply.

O1, O2: Output terminals to 24VDC powered devices
CODE: connecting with P-9910B programmer.

Recommended Wiring

17 AWG or above fire cable for all terminals, and subject to local codes.



Installation

Warning:

Before installing the module, disconnect power from the loop and verify that the guide rail is securely installed.

- 1) Before installation, make sure the enclosure is in good condition and markings are complete.
- 2) The module shall either be installed in a North America standard metal electrical box. Minimum size is 4 in. square, 2-1/8 in depth (in this case, standard box cover is required), or in a UL Signaling Listed enclosure that provides minimum wiring entries and spacing as shown on Fig 2 and Fig 3. Minimum mounting space is 67x40.5mm.
- 3) The module can be mounted on a guide rail as shown on Fig 4.
- 4) The module can also be installed in the enclosure by 4 mounting screws as shown in Fig.5.

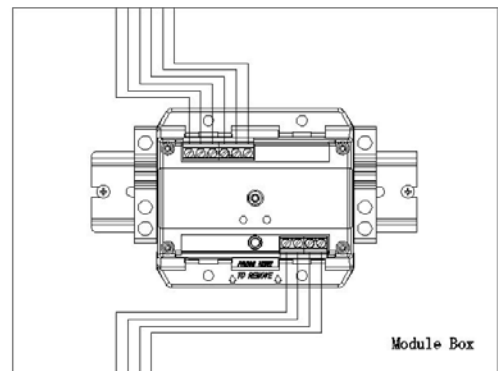


Fig. 2

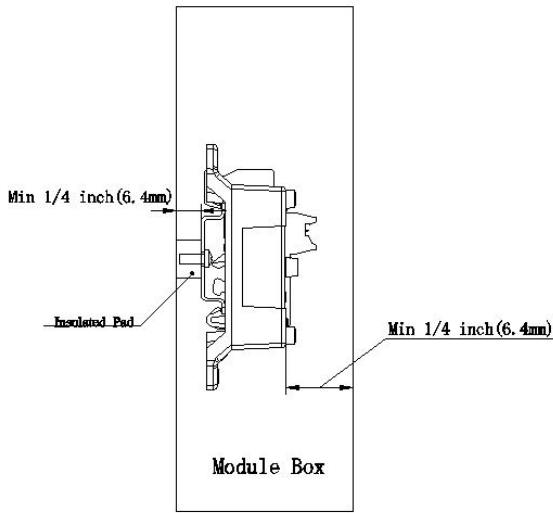


Fig. 3

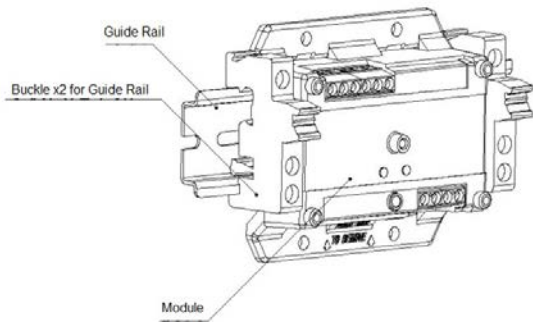


Fig. 4

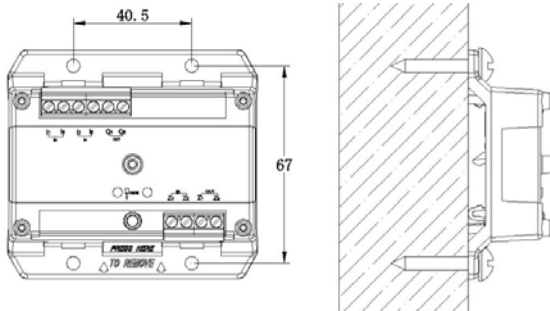


Fig. 5

Application

The module is designed to switch on/off connection between I1/I2 and O1/O2. The address can be programmed in field through a P-9910B Hand Held Programmer.

Programming Parameters:

In standby state of the programmer, pressing *Fn* and then number 3, “—” (data waiting for programming) will be popped up on the screen. Writing a parameter and then pressing “*Program*”, a “P” will show on the screen meaning the parameter is programmed.

Parameters used for O1/O2 setting includes:

1	No checking
Any other numbers(Default)	Checking

The system connection is shown in Fig. 6.

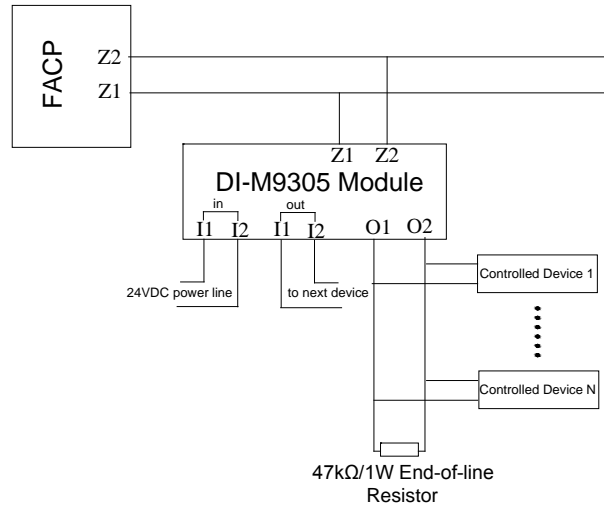


Fig. 6

Specification

SLC Operating Voltage	Loop: 24VDC (16VDC - 28VDC) Power Limited
Power Supply voltage	Maximum 30VDC. Power Limited
Power Output voltage	Regulated if Power Input is Listed Regulated 24VDC power supply Special Application, if Power Input is Special Application supplied by Listed compatible FACP.
Standby Current	Loop ≤ 0.26mA
Action Current	Loop ≤ 0.5mA
Maximum Output Load	2A @ 30VDC, 0.35PF
Programming Method	Electrically addressed, one address within 1 - 242.
Feedback LED	Illuminates red when the relay is activated, turns off as loop power cuts down and flashes in other states.
Fault LED	Flashes yellow 0.5s on and 0.5s off when output fault occurs. The LED is quiet in other states.
Ingress Protection Rating	IP30 (not tested by UL)
Operating Temperature	0°C - +49°C
Relative Humidity	≤ 93%, Non Condensing
Material and Color of Enclosure	ABS, white (RAL 9016)
Dimension (LxWxH)	85.3mmx78mmx33mm (with base)
Weight	About 66.6g (with base)

Accessories and Tools

Model	Name	Remark
P-9910B	Hand Held Programmer	Order separately
RY-1W-47k±5%	End-of-Line Resistor	Provided

Limited Warranty

GST warrants that the product will be free of charge for repairing or replacing from defects in design, materials and workmanship during the warranty period. This warranty shall not apply to any product that is found to have been improperly installed or used in any way not in accordance with the instructions supplied with the product. Anybody, including the agents, distributors or employees, is not in the position to amend the contents of this warranty. Please contact your local distributor for products not covered by this warranty.

This Data Sheet is subject to change without notice. Please contact GST for more information or questions.

Gulf Security Technology Co., Ltd.

No. 80, Changjiang East Road, QETDZ, Qinhuangdao, Hebei, P. R. China 066004

Tel: +86 (0) 335 8502434 Fax: +86 (0) 335 8502532

service.gst@fs.utc.com www.gst.com.cn