

### Features

- ◇ Cable checking.
- ◇ Occupying one address. It can be modified through P-9910B programmer or fire alarm control panel (FACP).
- ◇ Monitoring power supply.
- ◇ Two indicators for fire and fault conditions separately.
- ◇ Plug-in structure.
- ◇ Standard: EN 54-18:2005.

### Description

I-9319 Addressable Zone Monitor Unit (the unit) is designed to connect with conventional detectors, occupying one address. When any device in the loop reports fire signal, the unit will transmit the signal to the FACP which generates fire alarm and displays the address of the unit.

The end of the unit is connected with P-9907 Active End of Line Unit, if the output circuit is broken, the unit will transmit the fault signal to FACP and then the FACP displays the unit address. When a field device is removed, the unit will report fault without affecting normal operation of other field devices.

### Connection and Cabling

Fig. 1 shows terminals of the unit.

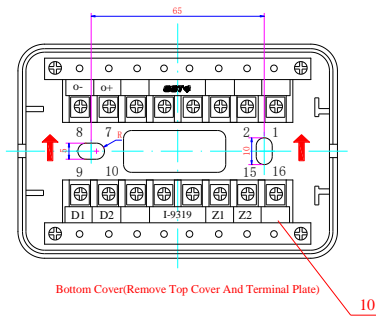


Fig. 1

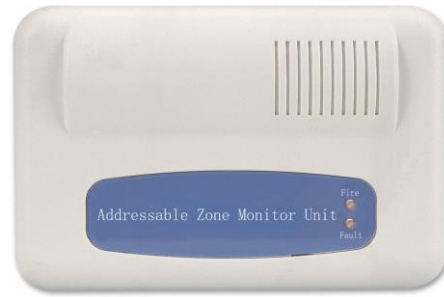
Z1, Z2: Connecting with loop of FACP, non-polarized.  
 D1, D2: Connecting with 24VDC power, non-polarized.  
 O-, O+: Polarized output.

#### Recommended Cabling

1.0mm<sup>2</sup> or above fire cable for each terminal, subject to local codes. The different color cables for O- and O+.

### Installation

The unit is simply plugged onto the base after corresponding terminals are connected.



If the cable conduit is inside the wall, the base is installed onto the back box (Fig. 2). If the cable conduit is on the surface of the wall, the B-9310 Back Box is available.

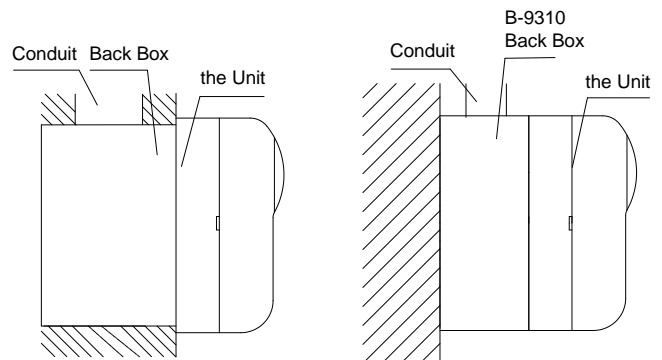


Fig. 2

Fig. 3

Note the upward arrow for mounting direction (Fig. 1).

### Application

Address can be set in field through P-9910B programmer. The output loop can connect up to 15 conventional devices. Detectors, such as C-9102 Photoelectric Smoke Detector, C-9103 Rate of Rise and Fixed Temperature detector can be used together.

1. When the unit connects with conventional detector in series, the detector base should connect with an 1N5819 diode, and P-9907 must be connected to the output end. P-9907 can also be used as the base of a conventional detector. System connection is shown in Fig. 4.

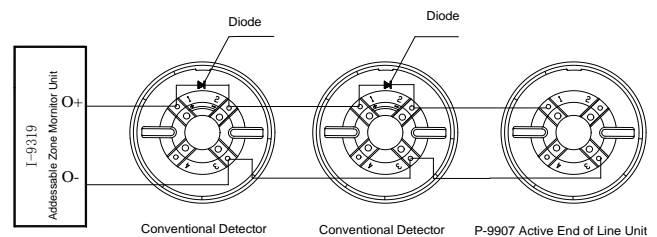


Fig. 4

2. When P-9907 Active End of Line Unit is not used as detector base, a cover should be added, the system connection is shown as Fig. 5.

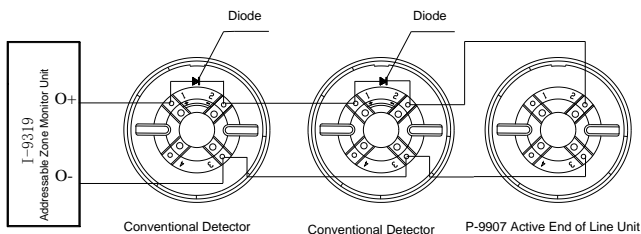


Fig. 5

3. If the output end connects with end-of-line resistor, the diode will not be added to the detector base, system connection is shown in Fig. 6.

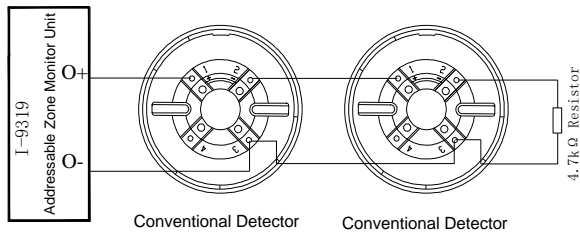


Fig. 6

### Accessories and Tools

| Model   | Name                 | Remark           |
|---------|----------------------|------------------|
| P-9910B | Hand Held Programmer | Order separately |
| B-9310  | Back Box             | Order separately |

### WEEE Information



2012/19/EU (WEEE directive): Products marked with this symbol cannot be **disposed** of as unsorted municipal waste in the European Union. For proper recycling, return this product to your local supplier upon the purchase of equivalent new equipment, or dispose of it at designated collection points

### Specification

|                                 |  |
|---------------------------------|--|
| Operating Voltage               | Loop: 24V (16V~28V)<br>Power: 24VDC (20VDC~28VDC)  |
| Standby Current                 | Loop ≤ 0.5mA Power ≤ 10mA  |
| Action Current                  | Loop ≤ 5mA Power ≤ 60mA  |
| Programming Method              | Electronically addressed. Code range is within 1~242.  |
| Indicators                      | Alarm LED: illuminates red in fire condition.<br>Fault LED: illuminates yellow in fault condition. |
| Ingress Protection Rating       | IP30   |
| Operating Temperature           | -10°C ~ +55°C  |
| Relative Humidity               | ≤ 95%, non condensing  |
| Material and Color of Enclosure | ABS, white (RAL9016)   |
| Dimension (LxWxH)               | 120mmx80mmx43mm<br>(with base)   |
| Weight                          | About 195g (with base)   |

### Limited Warranty

**GST** warrants that the product will be free of charge for repairing or replacing from defects in design, materials and workmanship during the warranty period. This warranty shall not apply to any product that is found to have been improperly installed or used in any way not in accordance with the instructions supplied with the product. Anybody, including the agents, distributors or employees, is not in the position to amend the contents of this warranty. Please contact your local distributor for products not covered by this warranty.

This Data Sheet is subject to change without notice. Please contact GST for more information or questions.

### Gulf Security Technology Co., Ltd.

No. 80, Changjiang East Road, QETDZ, Qinhuangdao, Hebei, P. R. China 066004

Tel: +86 (0) 335 8502434 Fax: +86 (0) 335 8502532

[service.gst@fs.utc.com](mailto:service.gst@fs.utc.com) [www.gst.com.cn](http://www.gst.com.cn)