



## P-9943

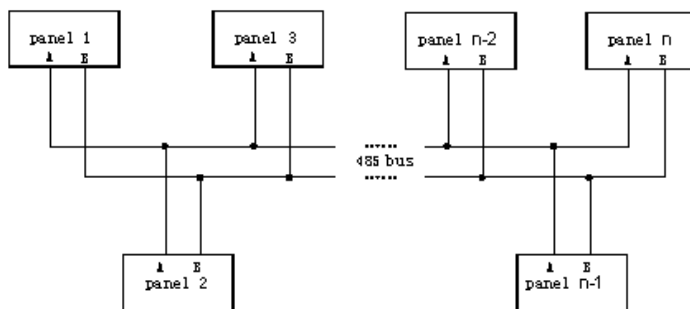
### RS485 Network Card

P-9943 network card provides RS485 Class B network connection to GST100 panel. All panels are connected in peer to peer topology. Each panel node will take an individual address.

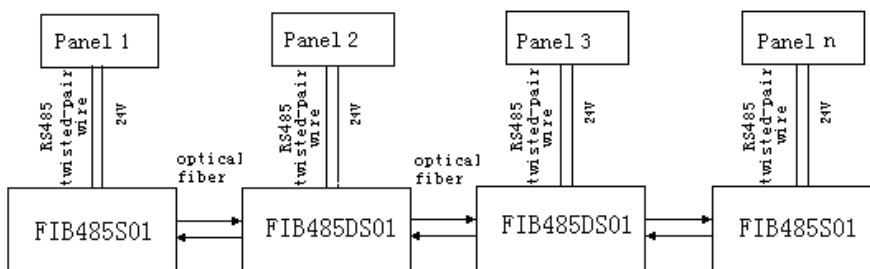
#### Technical Specification

- Compatible Panel: GST100 panel
- Communication Protocol: RS485
- Baud Rate: 4800
- Network capacity: 32
- Cable Requirement: Minimum 1.0 mm<sup>2</sup> Fire Cable
- Communication Distance: 1200 meters

#### Typical Connection



Electrical Cable Connection



Fiber-Optic Cable Connection

This document is subject to change without notice. Please contact GST for more information or questions.

**Gulf Security Technology Co., Ltd.**

No. 80, Changjiang East Road, QETDZ, Qinhuangdao, Hebei, P. R. China 066004

www.gst.com.cn www.utcfireandsecurity.com service.gst@fs.utc.com